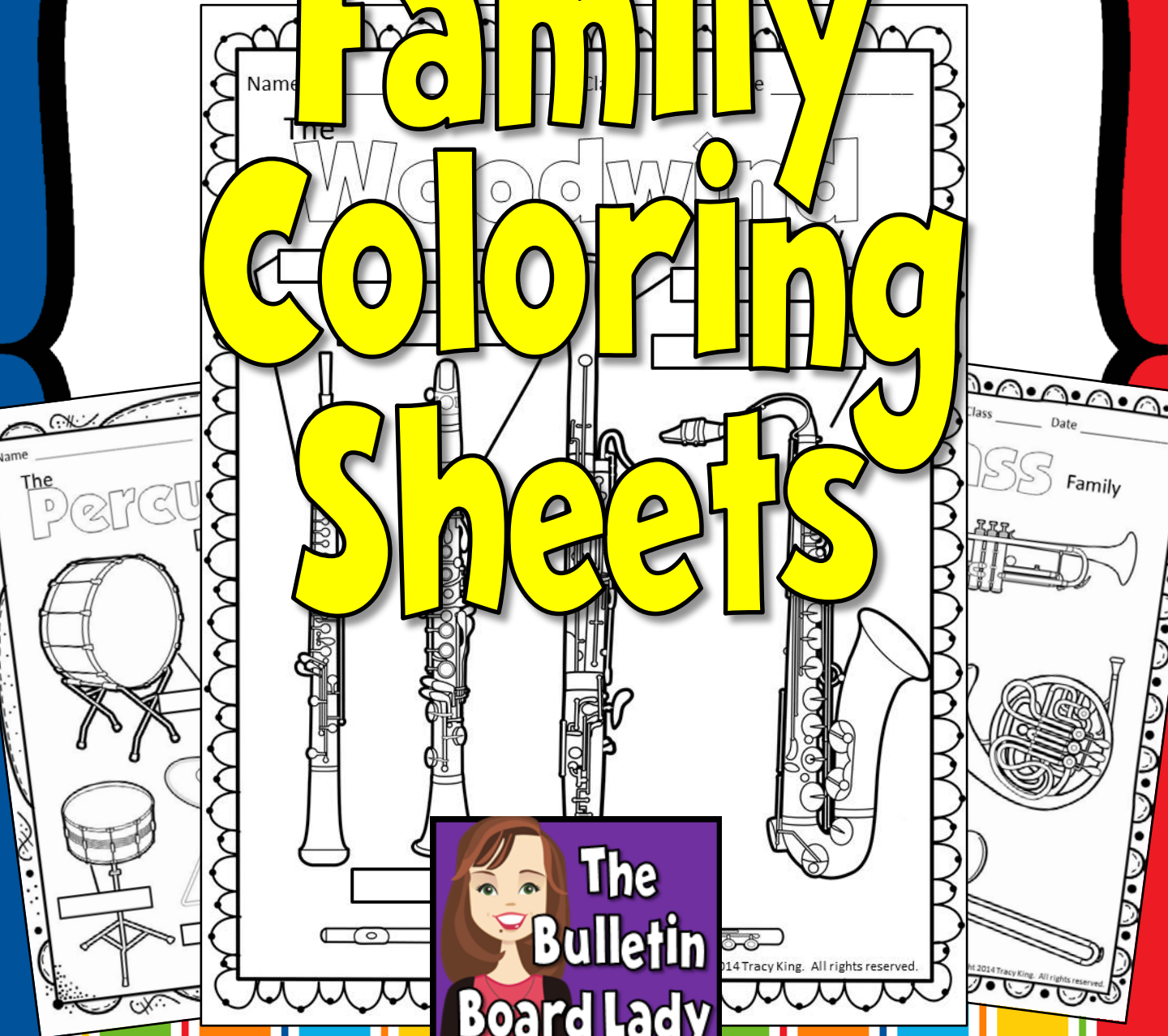


Instrument Family Coloring Sheets

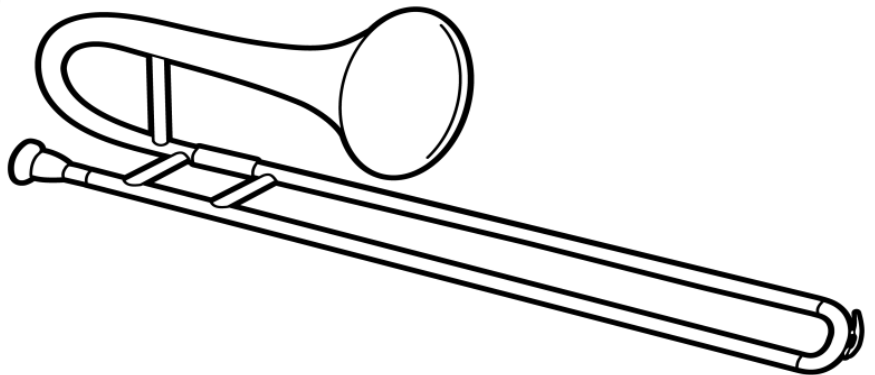
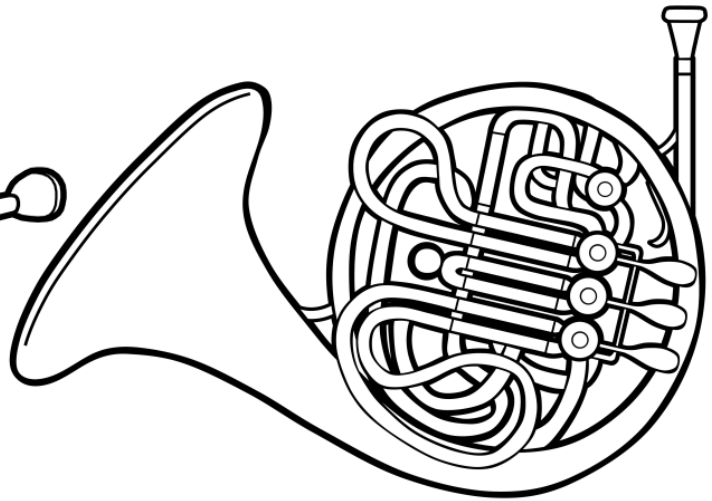
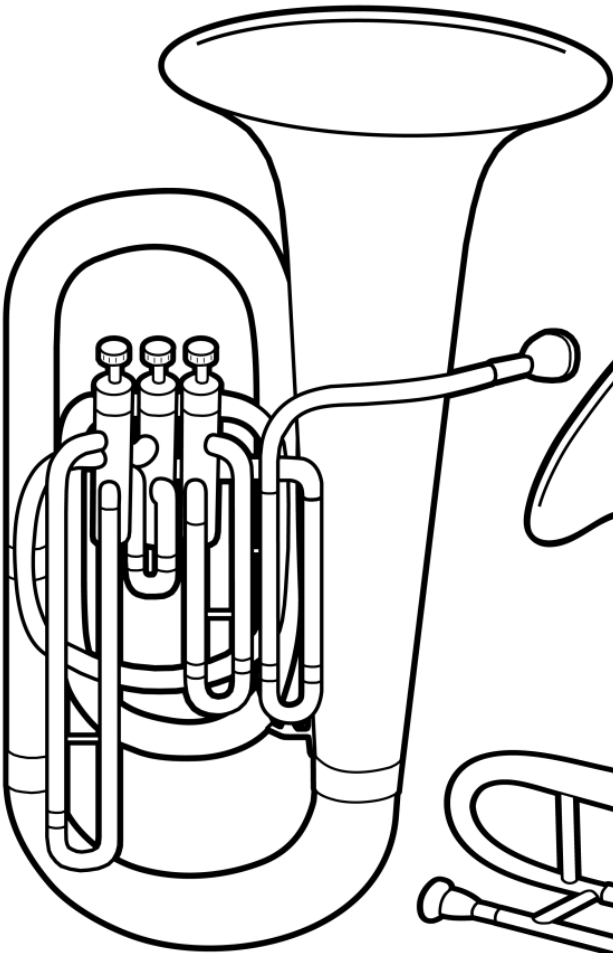
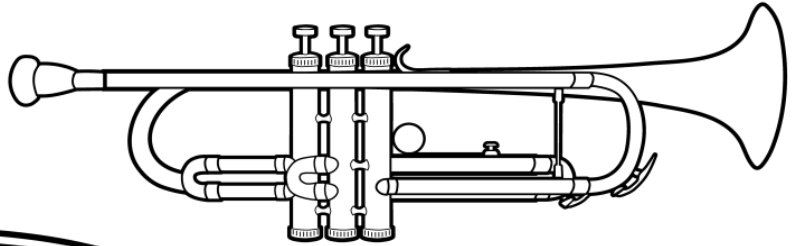


©2014 Tracy King. All rights reserved.

©2014 Tracy King. All rights reserved.

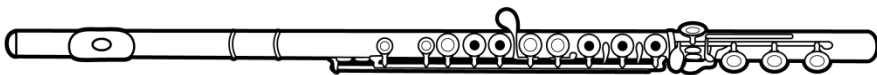
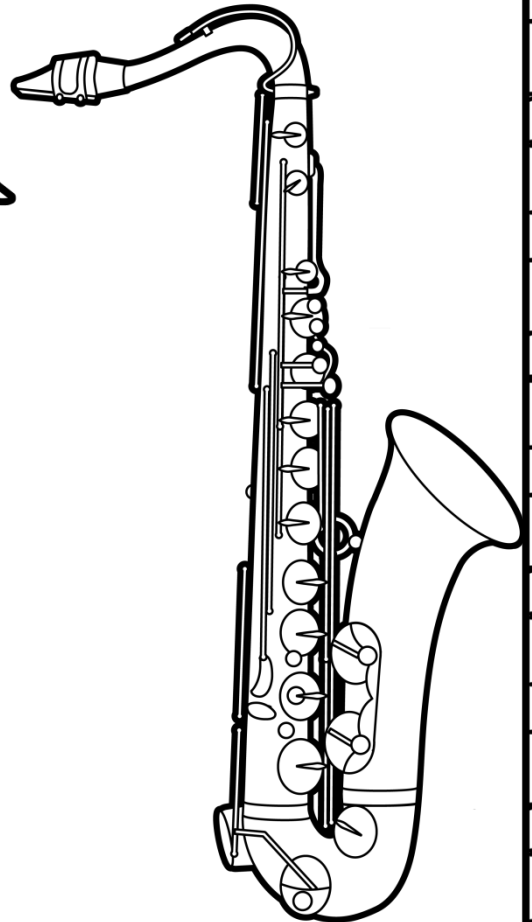
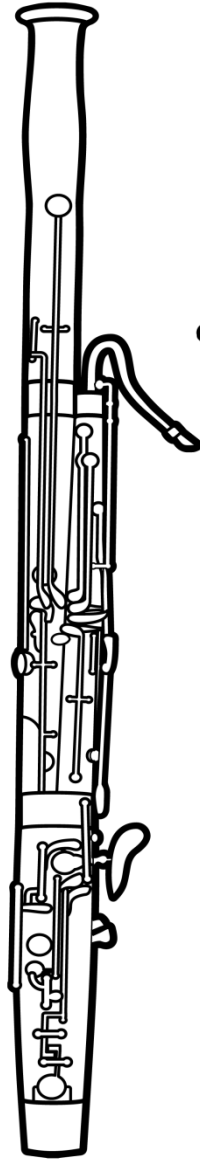
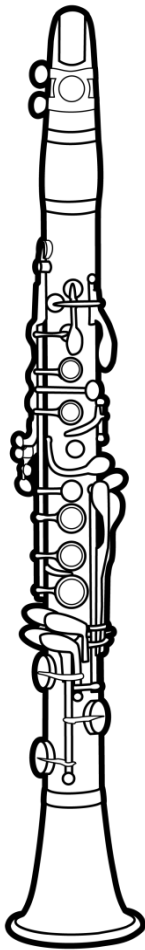
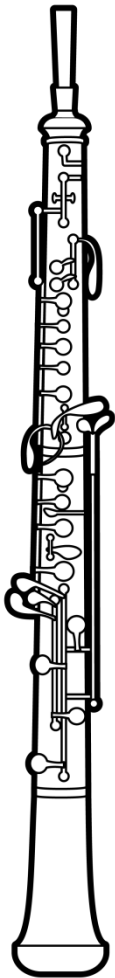
Name _____ Class _____ Date _____

The Brass Family



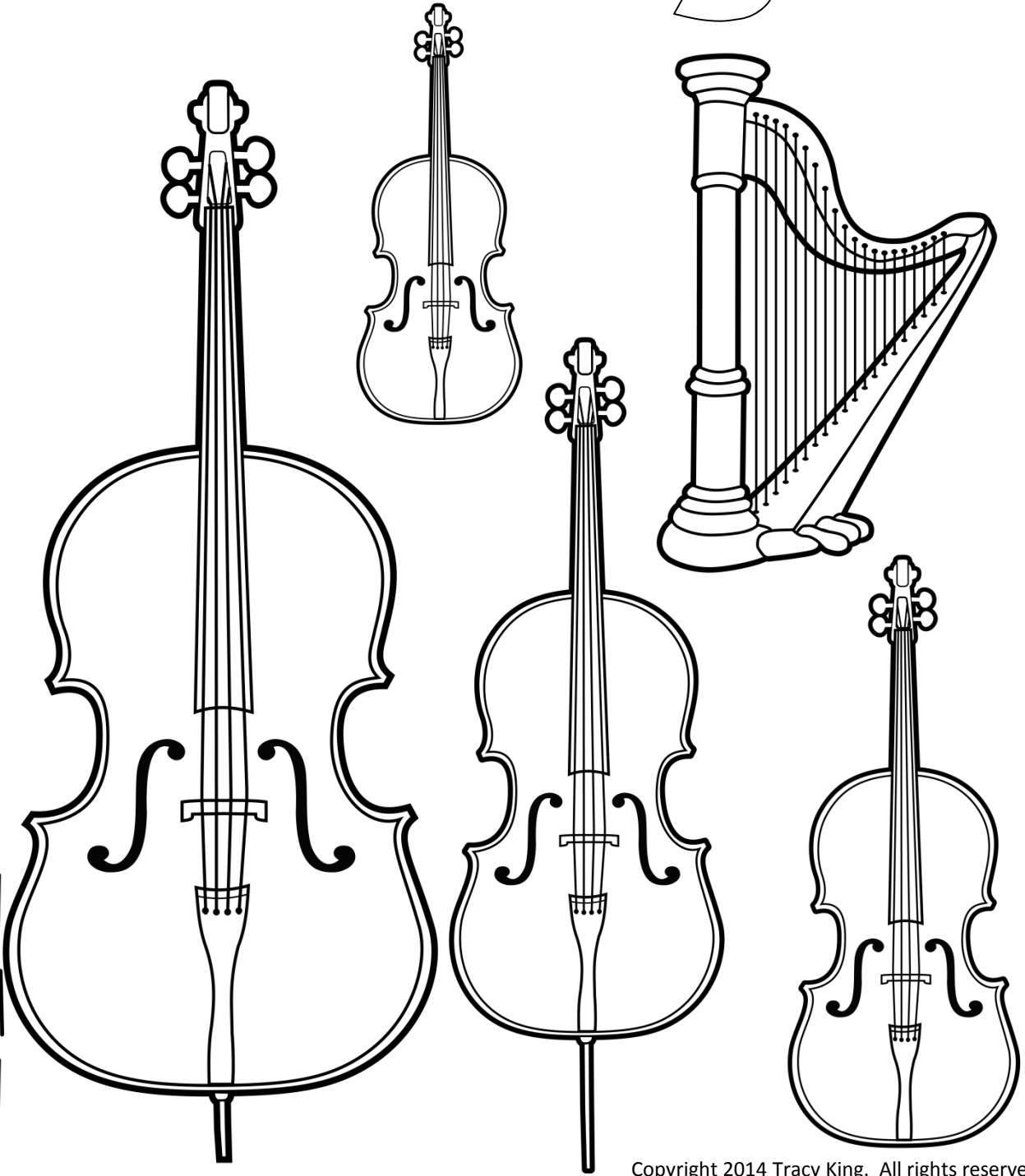
Name _____ Class _____ Date _____

The Woodwind Family



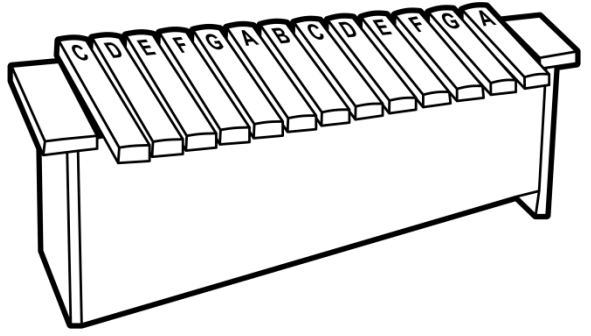
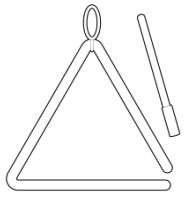
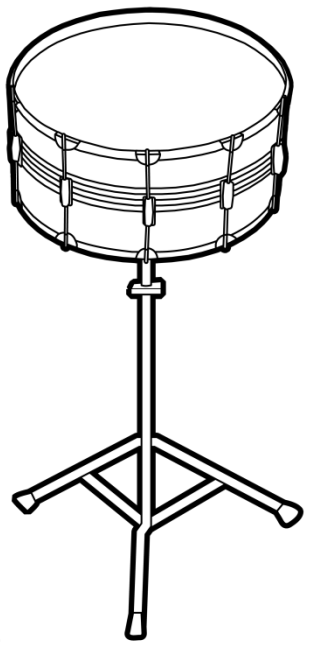
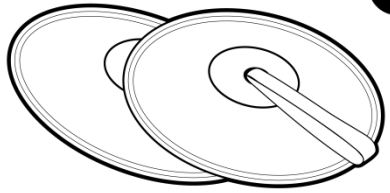
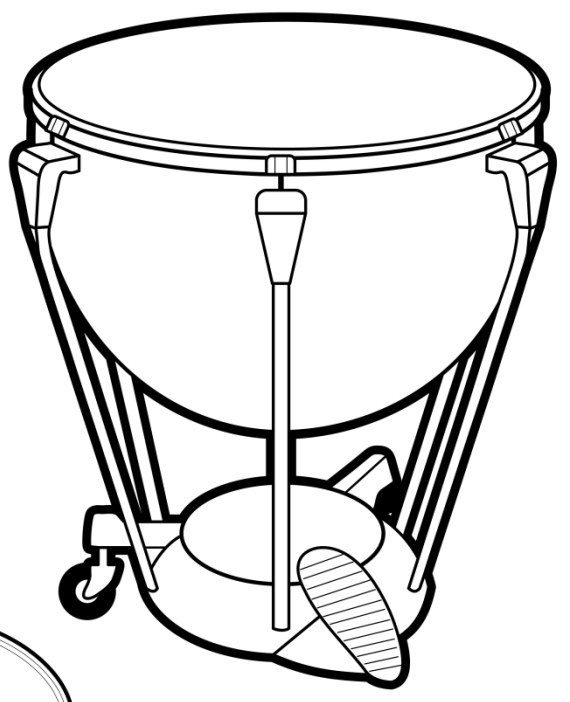
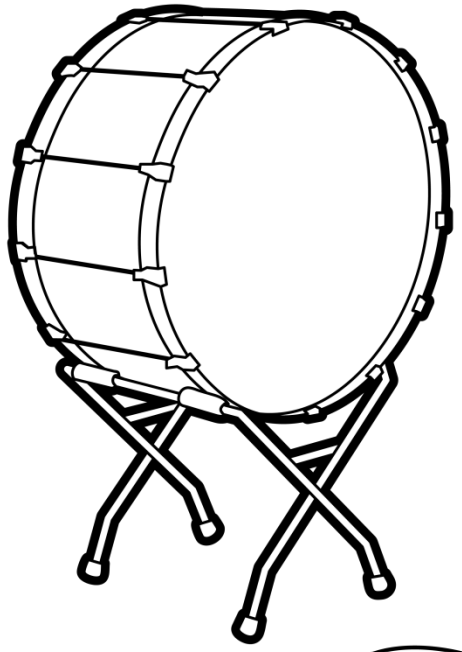
Name _____ Class _____ Date _____

The **String** Family



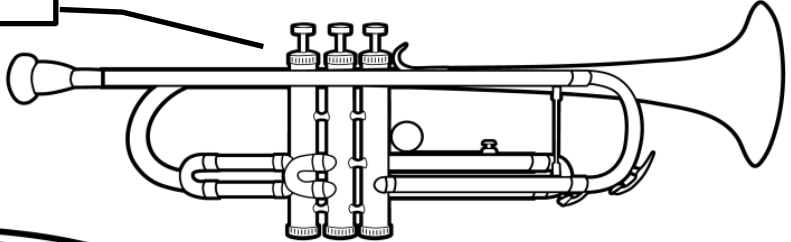
Name _____ Class _____ Date _____

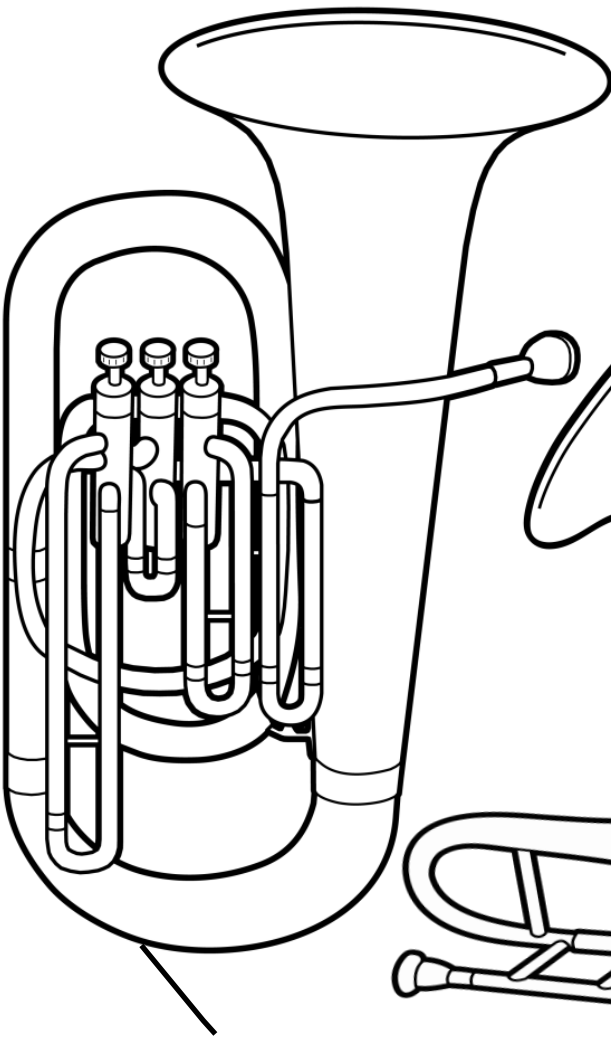
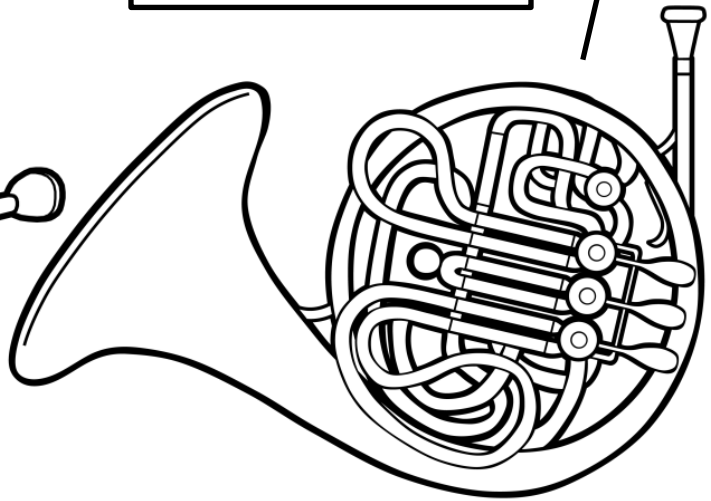
The Percussion Family

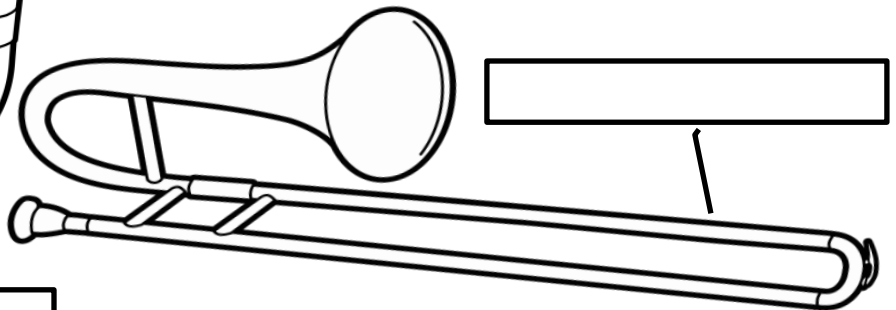


Name _____ Class _____ Date _____

The Brass Family

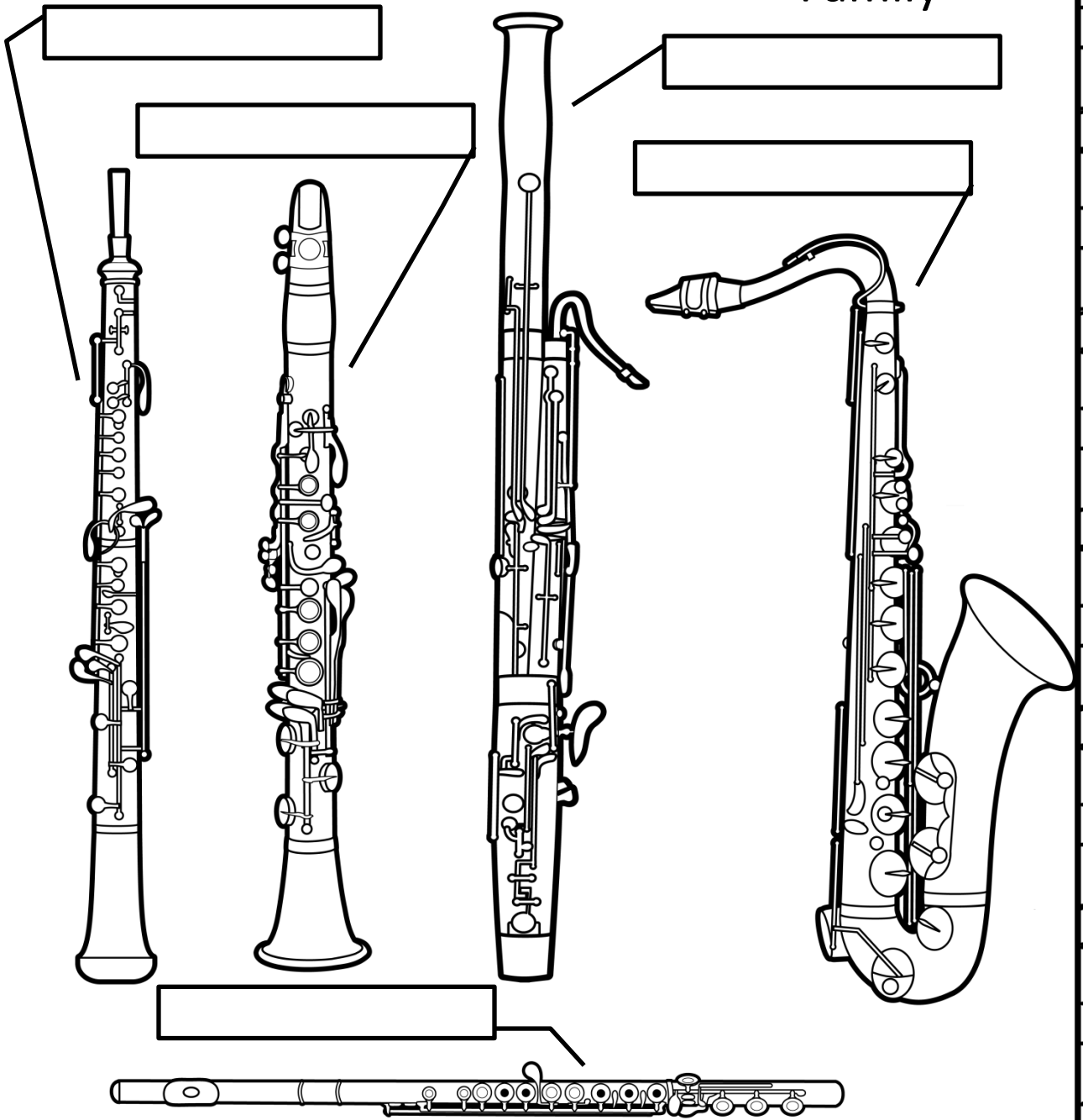






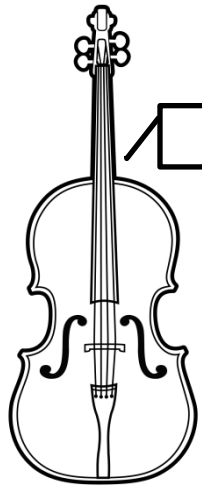
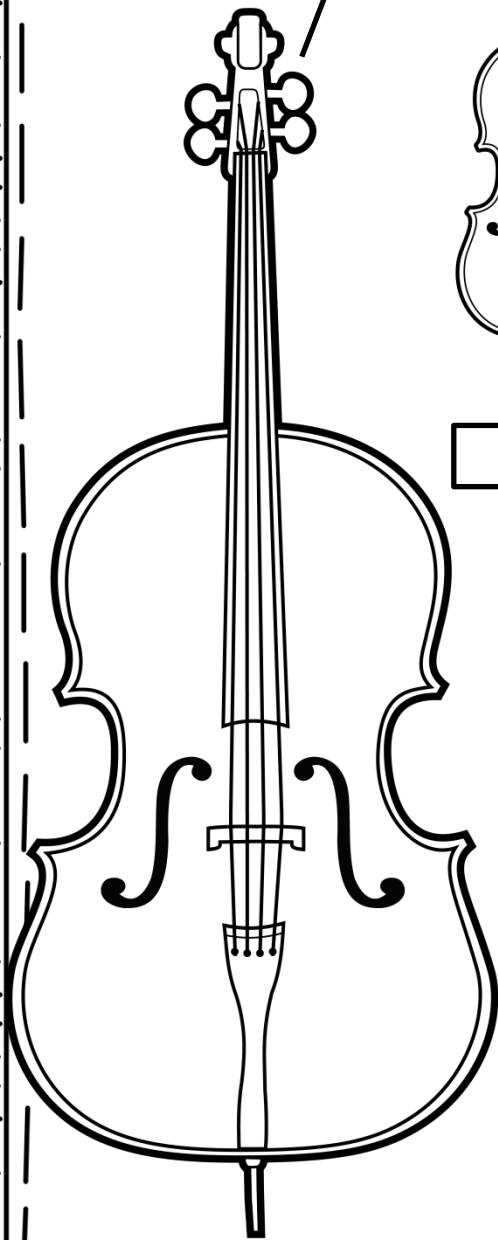
Name _____ Class _____ Date _____

The Woodwind Family

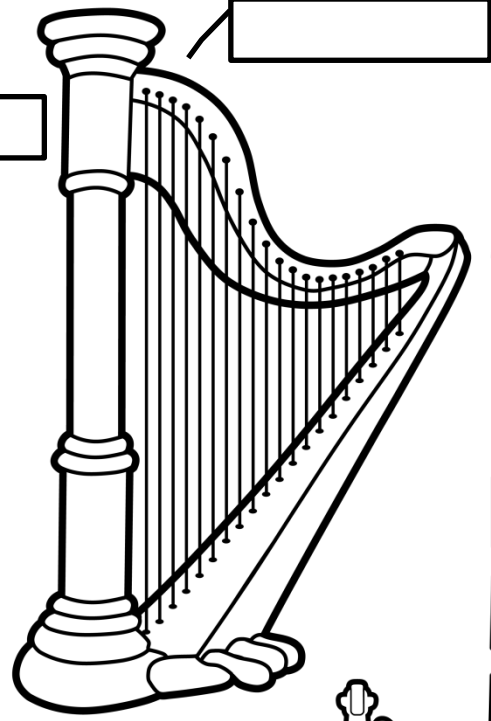


Name _____ Class _____ Date _____

The String Family

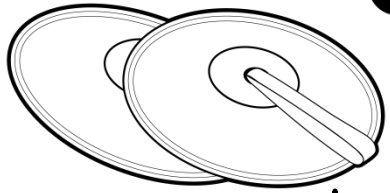
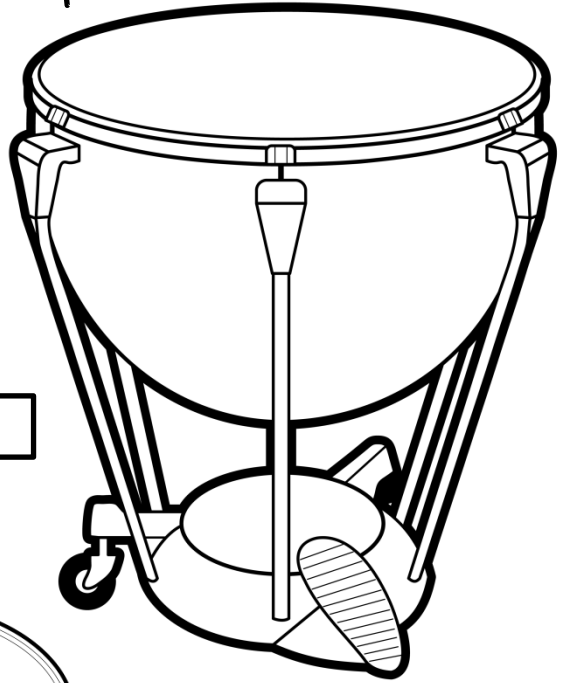
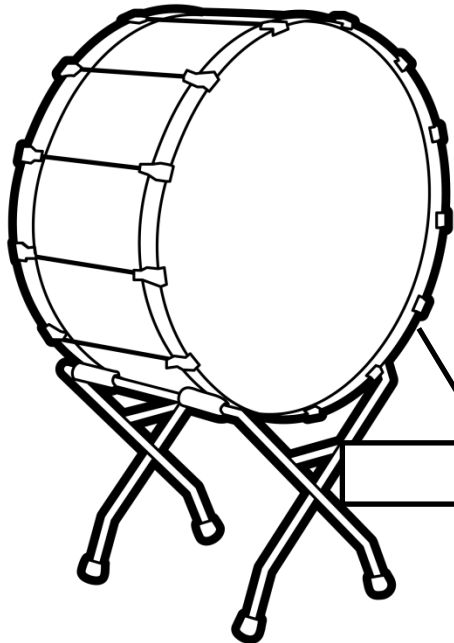


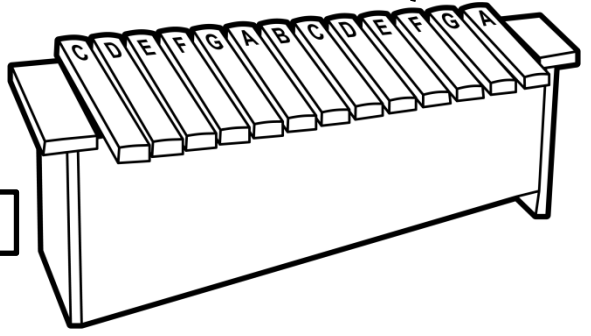
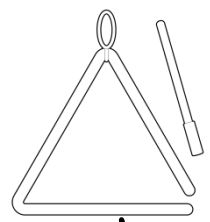
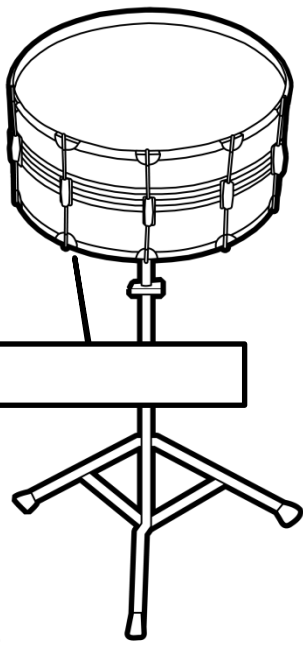




Name _____ Class _____ Date _____

The Percussion Family

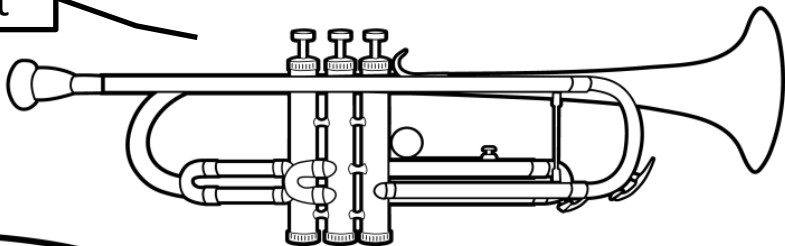




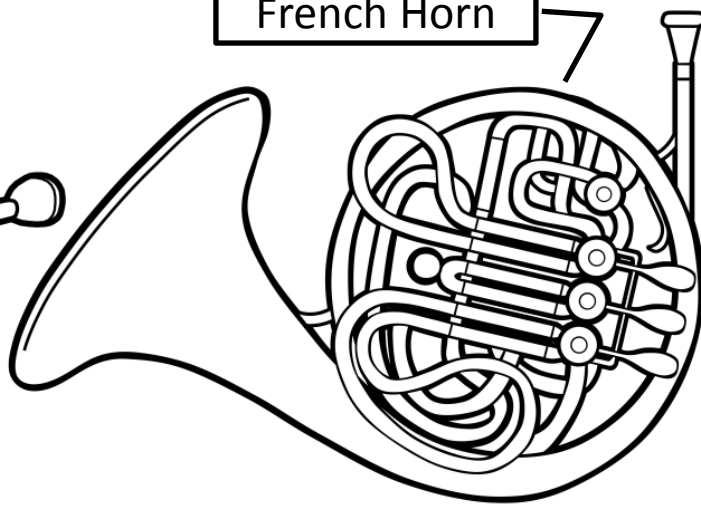
Name _____ Class _____ Date _____

The Brass Family

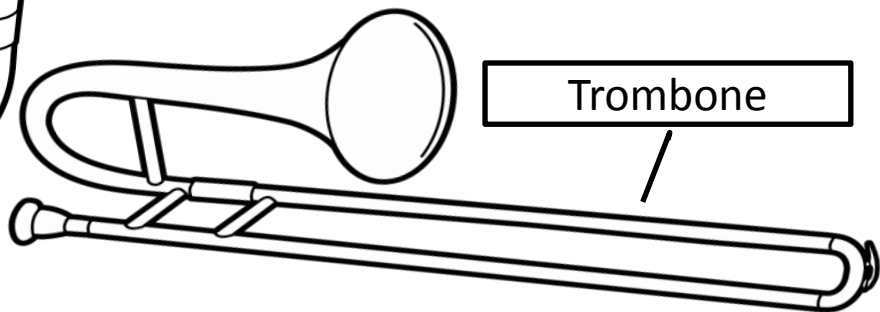
Trumpet



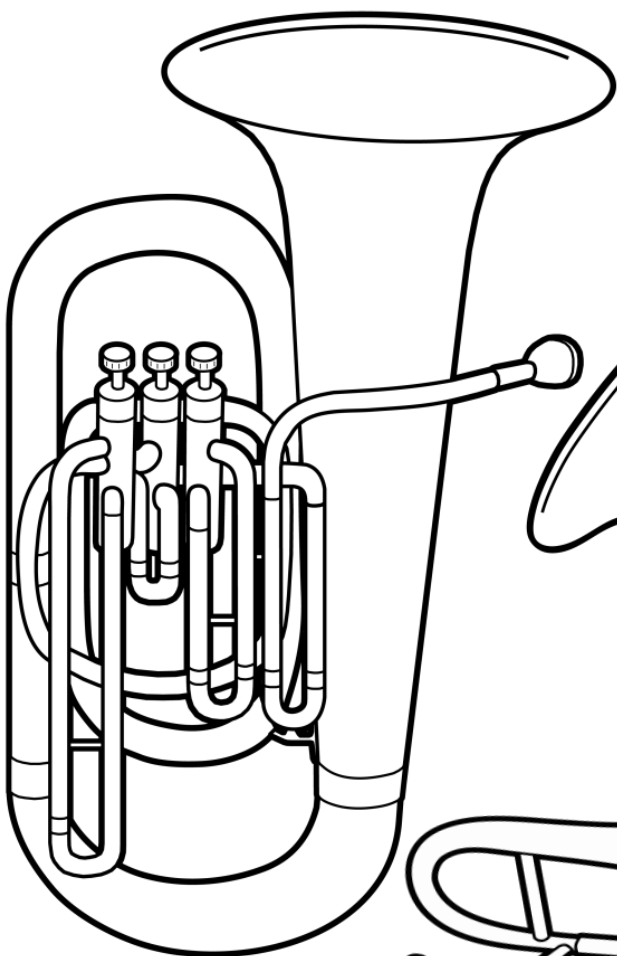
French Horn



Trombone



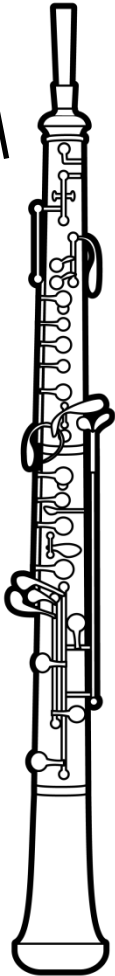
Tuba



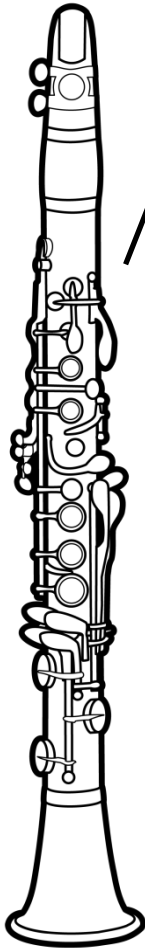
Name _____ Class _____ Date _____

The Woodwind Family

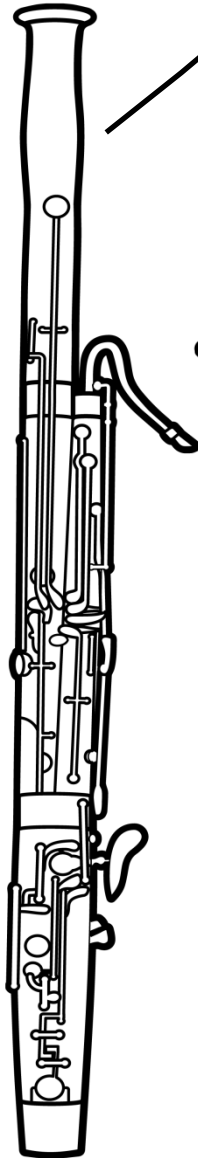
Oboe



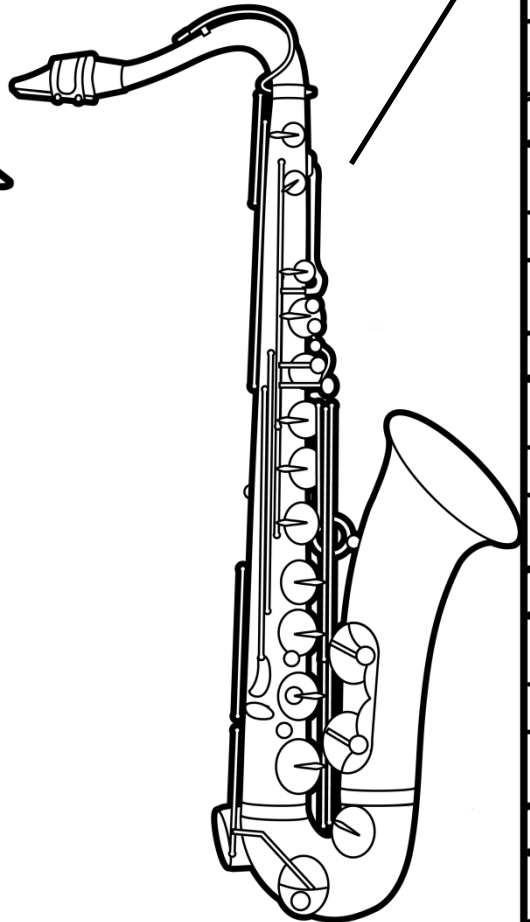
Clarinet



Bassoon



Saxophone



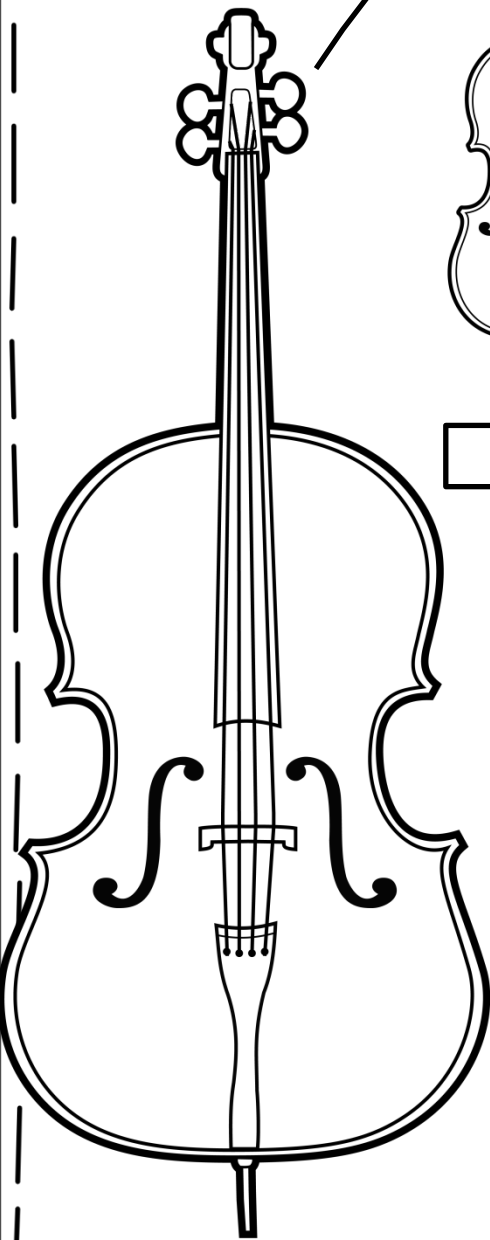
Flute



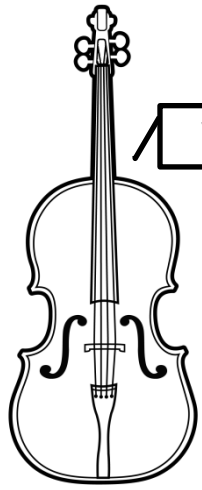
Name _____ Class _____ Date _____

The String Family

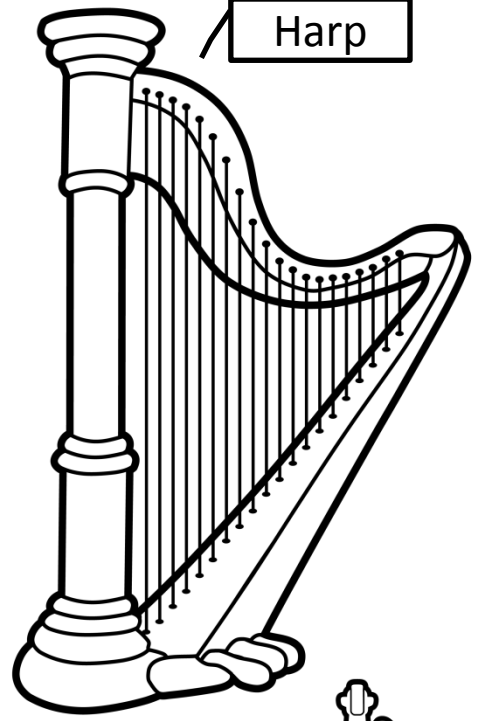
Double Bass



Violin



Harp



Cello

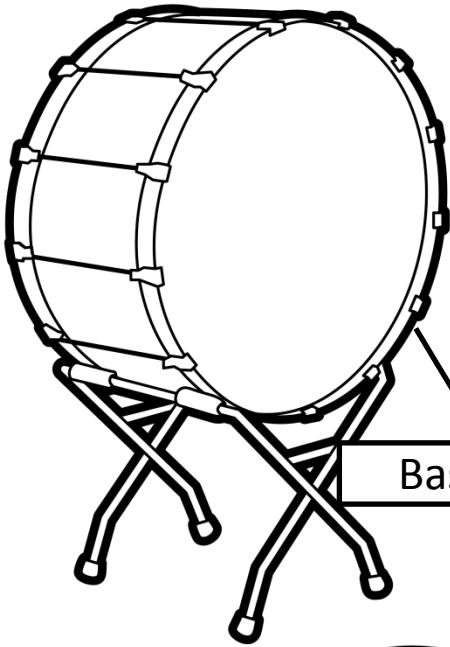


Viola

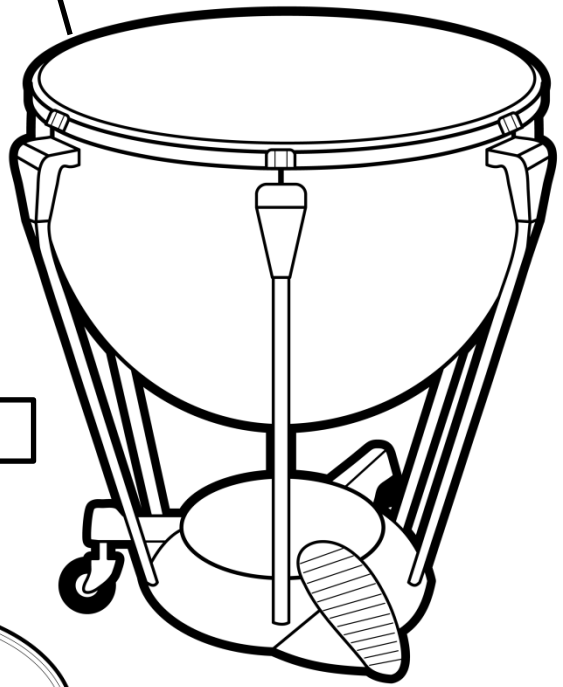


Name _____ Class _____ Date _____

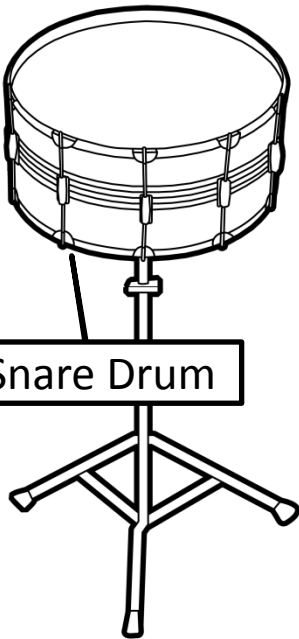
The Percussion Family



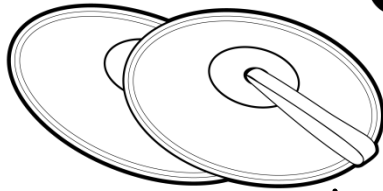
Bass Drum



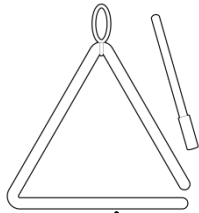
Timpani



Snare Drum

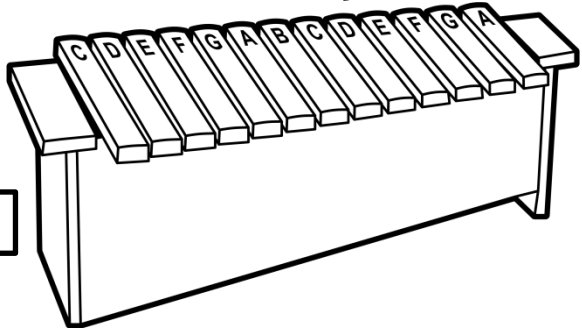


Cymbals



Triangle

Xylophone



PLEASE do not share this file! Purchase additional copies at www.musicbulletinboards.net or my TeachersPayTeachers site <http://www.teacherspayteachers.com/Store/The-Bulletin-Board-Lady-tracy-King> or my Teacher's Notebook site <http://www.teachersnotebook.com/shop/TheBulletinBoardLady>

Your download entitles you to a license to use the unaltered file for non-commercial, non-profit purposes in one classroom only. If you are a traveling teacher and have more than one classroom you may use it for each of your classrooms. Your license does not authorize you to re-sell or otherwise use these materials for profit in any way; to alter the file in any way (although templates are made for you to customize); or to post or distribute materials created by Tracy King on Bulletin Boards for the Music Classroom on your website, through email, on message boards, or in printed copy other than in connection with activities in YOUR classroom. Doing so is a violation of federal and state copyright laws.

Clipart by:

[Dancing Crayons](#)

[Kelly B's Clipart](#)

[Clipart Corner](#)

Did you like this product? Find more in my stores:

[Bulletin Boards for the Music Classroom](#)

[The Bulletin Board Lady Tracy King](#) (on TpT)

[The Bulletin Board Lady](#) (on Teachers Notebook)

